



EN 215-1



Straight valves VDN2...



Angle valves VEN2...



Reverse angle valves VUN2...



## Radiator Valves

NF norm, for 2-pipe heating systems

**VDN2...**  
**VEN2...**  
**VUN2...**

- Valve bodies made of brass, mat nickel-plated
- DN 10, DN 15 and DN 20 (VDN2..., VEN2...)
- Integrated preadjustment of  $k_v$ -values
- Internally and externally threaded (Rp/R) conforming to ISO 7-1
- Manual knob / protective cover included in the delivery
- Can be combined with RTN... thermostatic actuators, SSA... motoric actuators or STA... and STS61... thermal actuators

### Use

The radiator valves are used in hot water heating plant for individual room or zone temperature control and limitation. They are basically recommended in all rooms, especially where heat gains or different temperature levels occur.

## Type summary

Type reference straight	Type reference angle	Type reference reverse angle	DN	$k_v$ -value [ $m^3/h$ ] setting range	$k_v$ -value [ $m^3/h$ ] at a P-band of 2 K
VDN210	VEN210		10	0.09...0.63	0.43
		VUN210		0.14...0.60	
VDN215	VEN215		15	0.10...0.89	0.52
		VUN215		0.13...0.77	
VDN220	VEN220		20	0.31...1.41	0.71

## Order

When ordering, please give quantity, product name and type reference.

Example: 2 straight valves VDN220  
1 protection against dismantling ATN2

## Delivery

Valves and accessories are packed separately.

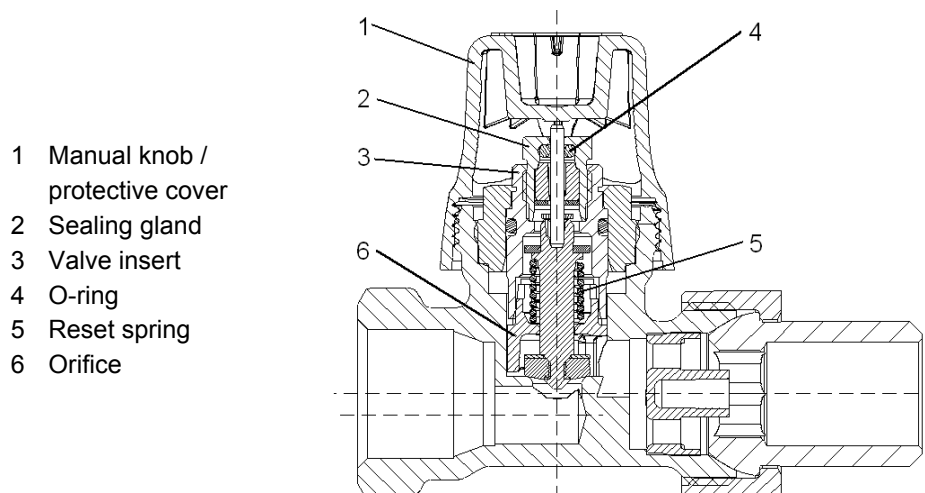
## Equipment combinations

Product	Types	Data sheet
Thermostatic actuators	RTN...	N2111
Motoric actuators	SSA31... / SSA61... / SSA81...	N4893
Thermal actuators	STA21... / STA71...	N4877
Thermal actuators	STA72E...	N4875
Thermal actuators	STS61... <sup>1)</sup>	N4880

<sup>1)</sup> Quasi-proportional control action, not recommended for parallel operation

## Mechanical design / technical design

The flow rate can be preadjusted with an orifice. Full stroke is ensured irrespective of the preadjustment, which is made with the help of the protective cover.



## Features and benefits

- The valves conform to EN 215
- The sealing gland can be replaced while the plant is under pressure (no tools required)

## Accessories

### AVN1

Sealing gland



### ATN2

Protection against dismantling



### ATN3

Manual knob (RAL9016)



### ATN4

Manual knob



### AVN...

Compression fittings



## Engineering notes

The reference numbers for preadjustment are given in the table with the  $k_v$ -values (see page 4) and in the valve sizing charts (see pages 5 – 7).

1. Calculate the volumetric water flow  $\dot{V}_{100}$

$$\dot{V}_{100} = \frac{Q_{100}}{1.163 \times \Delta T \times f_1} \quad [\text{m}^3/\text{h}]$$

$Q_{100}$  = heat demand [kW]  
 $\Delta T$  = temperature differential [K]  
 $1.163$  = constant of water  
 $f_1$  = correction factor = 1 for water

2. Define the pressure drop  $\Delta p_{v100}$  across the fully open valve

In most types of plant, a differential pressure  $\Delta p_{v100}$  of 0.05 to 0.2 bar is adequate.

3. Calculation of the nominal flow value  $k_v$

$$k_v = \frac{\dot{V}_{100}}{\sqrt{\Delta p_{v100}}} \quad [\text{m}^3/\text{h}]$$

$\Delta p_{v100}$  = differential pressure across the valve [bar]

Example:

Heat demand	$Q_{100}$	= 1.2 kW
Temperature differential	$\Delta T$	= 20 K
Water volume	$\dot{V}_{100} = \frac{1.2}{1.163 \times 20}$	= 0.052 m <sup>3</sup> /h = 52 l/h
Required differential pressure across the valve	$\Delta p_{v100}$	= 0.1 bar
Flow	$k_v = \frac{0.052}{\sqrt{0.1}}$	= 0.17 m <sup>3</sup> /h

### Solution

According to the chart (refer to «Valve sizing charts», or table with  $k_v$ -values), the preadjustment required for a VDN210 3/8" valve is 2.

### Tips

- Noiseless operation is ensured by a pump that provides no more pressure than is needed to transport the required amount of water
- To keep the valve free from dirt particles, it is recommended to install a strainer

### k<sub>v</sub>-values

The k<sub>v</sub>-value gives the volumetric water flow  $\dot{V}_{100}$  in m<sup>3</sup>/h at a pressure drop  $\Delta p_{v100}$  across the valve of 1 bar.

### k<sub>v</sub>-values [m<sup>3</sup>/h] at the different preset positions

Control range with SSA..., STA... actuators and STS61...	✓	✓	✓	✓	✓	✓	
Control range of thermostatic actuators RTN...	✓	✓	✓	✓	✓		✓
<b>Reference numbers for preadjustment</b>	<b>1</b>	<b>2</b>	<b>3</b>	<b>4</b>	<b>5</b>	<b>N</b>	<b>N<sup>1)</sup></b>
VDN210 / VEN210	0.09	0.18	0.26	0.33	0.48	0.63	0.43
VDN215 / VEN215	0.10	0.20	0.31	0.45	0.69	0.89	0.52
VDN220 / VEN220	0.31	0.41	0.54	0.83	0.91	1.41	0.71
VUN210	0.14	0.28	0.38	0.49	0.53	0.60	0.43
VUN215	0.13	0.23	0.34	0.52	0.66	0.77	0.50

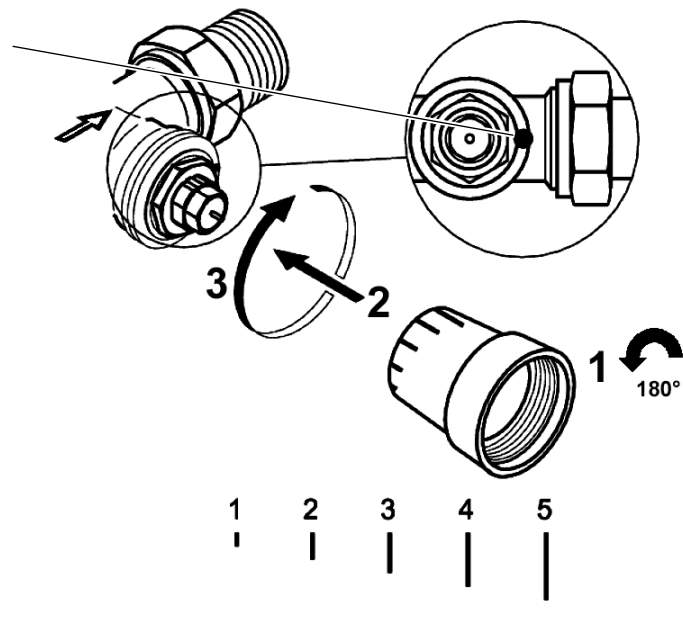
<sup>1)</sup> k<sub>v</sub>-value at a P-band of 2 K

### Setting the k<sub>v</sub>-values

The k<sub>v</sub>-values can be set on the valve's head in 5 steps + N (fully open) using the protective cover, which can be turned through 180°.



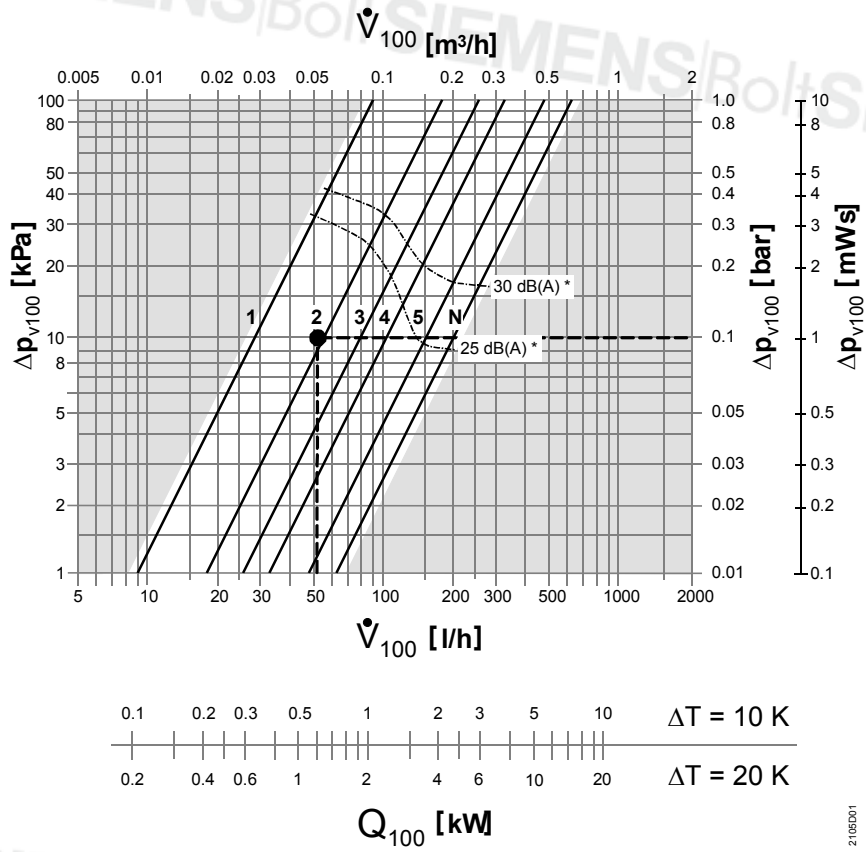
Observe marking on the valve's outlet side!



2106Z02

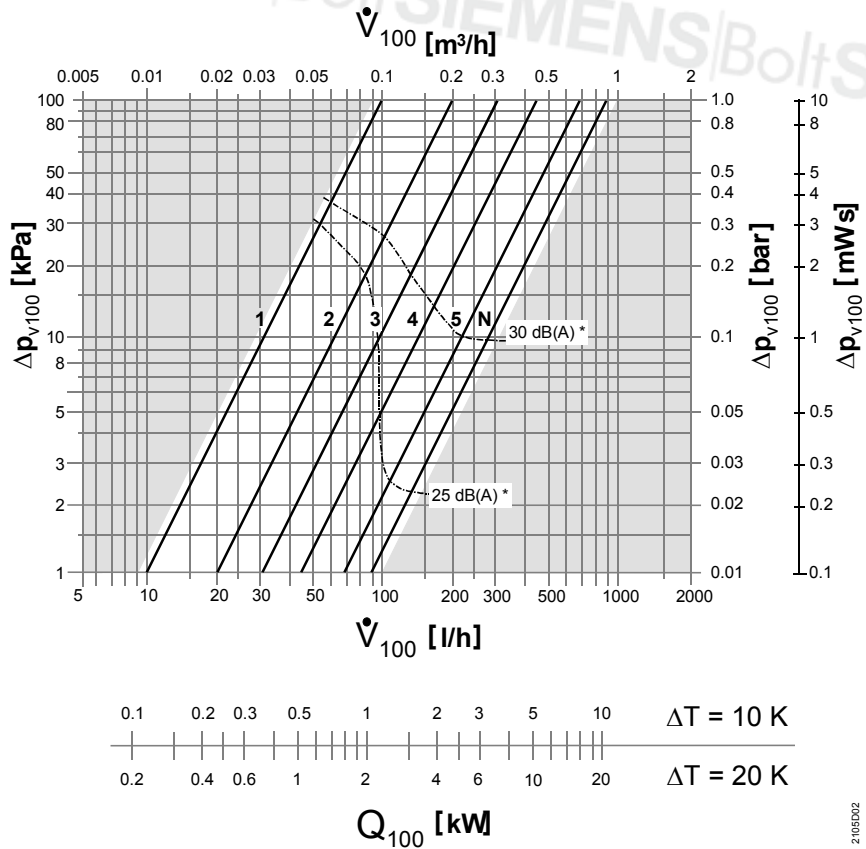
Valve sizing charts

VDN210  
VEN210



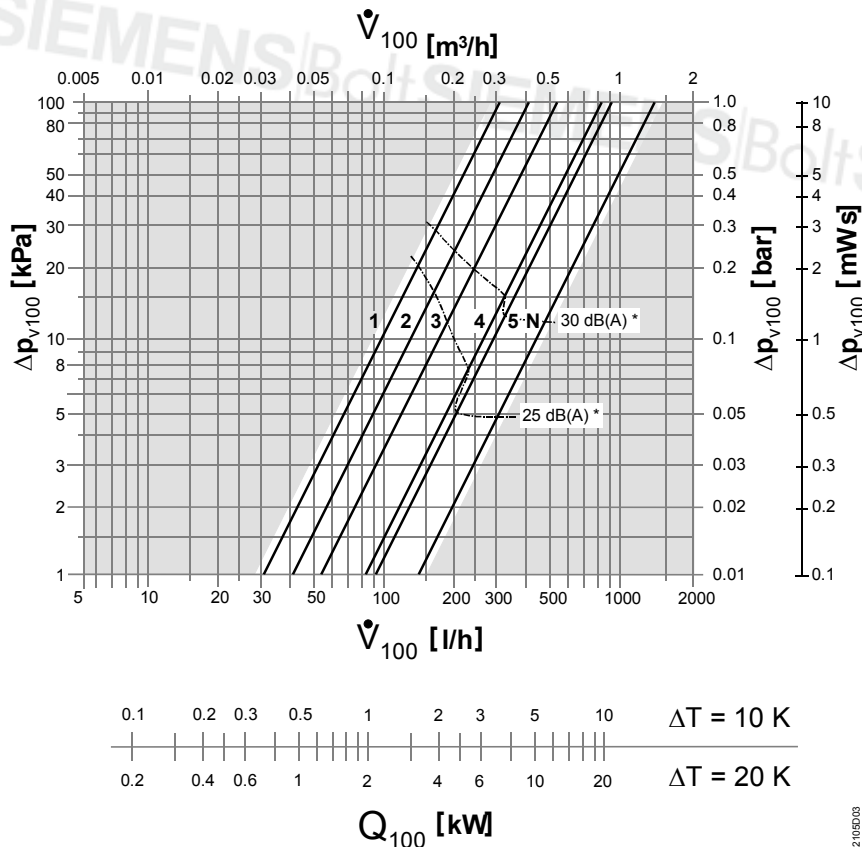
2105001

VDN215  
VEN215



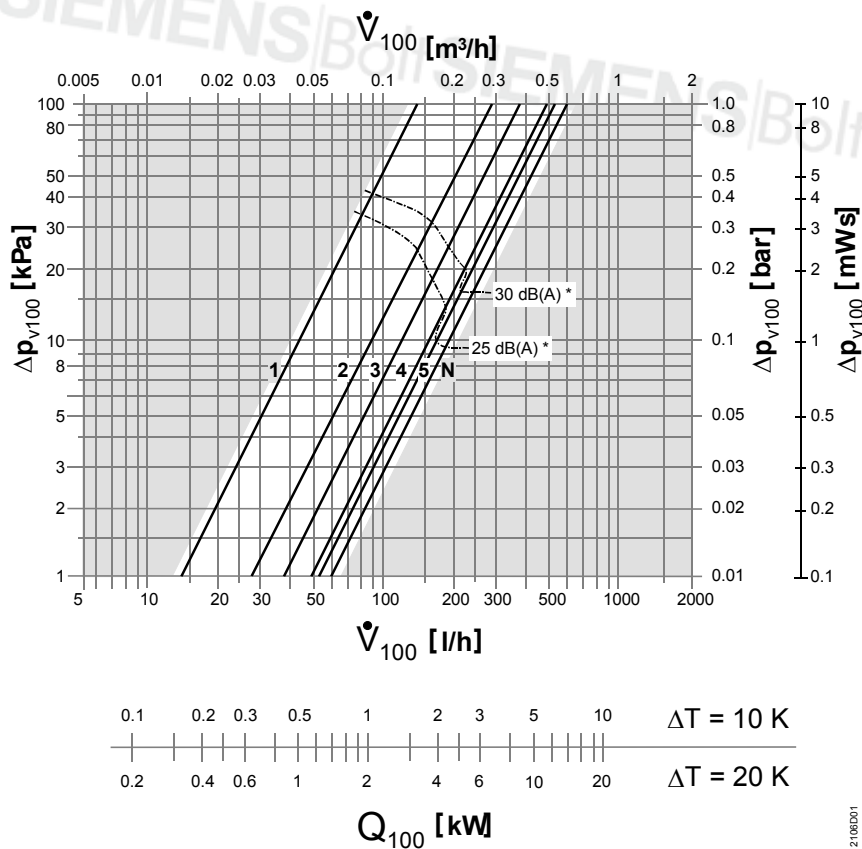
2105002

VDN220  
VEN220

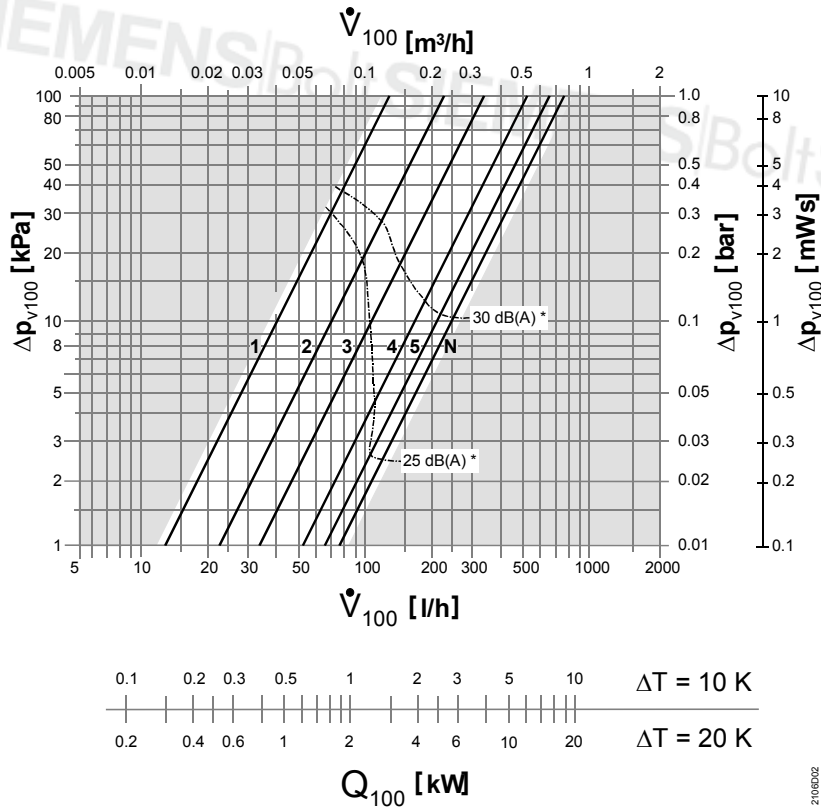


2106B03

VUN210



2106B01



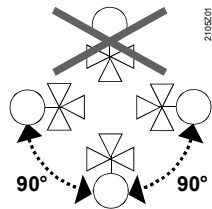
\*) Measuring conditions of the noise curves on request.

**Notes**

**Mounting**

- Mounting Instructions are printed on the package
- The valves are supplied preadjusted to N (fully open)
- To ensure correct functioning of the thermostatic heads and electronic actuators, observe the available mounting choices and mounting conditions

**Orientation**



**Maintenance**

The valves are maintenance-free.

**Repair**

In the event of leakage, the valve's sealing gland can be replaced. The valves cannot be repaired; the complete unit must be replaced.

**Disposal**



The valve must not be disposed of together with domestic waste. Legislation may demand special handling of certain components, or it may be sensible from an ecological point of view.

**Current local legislation must be observed.**

**Warranty**

Application-related technical data are only warranted when used in connection with the Siemens controllers and actuators listed under «Equipment combinations».

**When using the valves with actuators of other manufacture proper functioning must be ensured by the user. Any warranty by Siemens Switzerland Ltd / HVAC Products becomes void.**

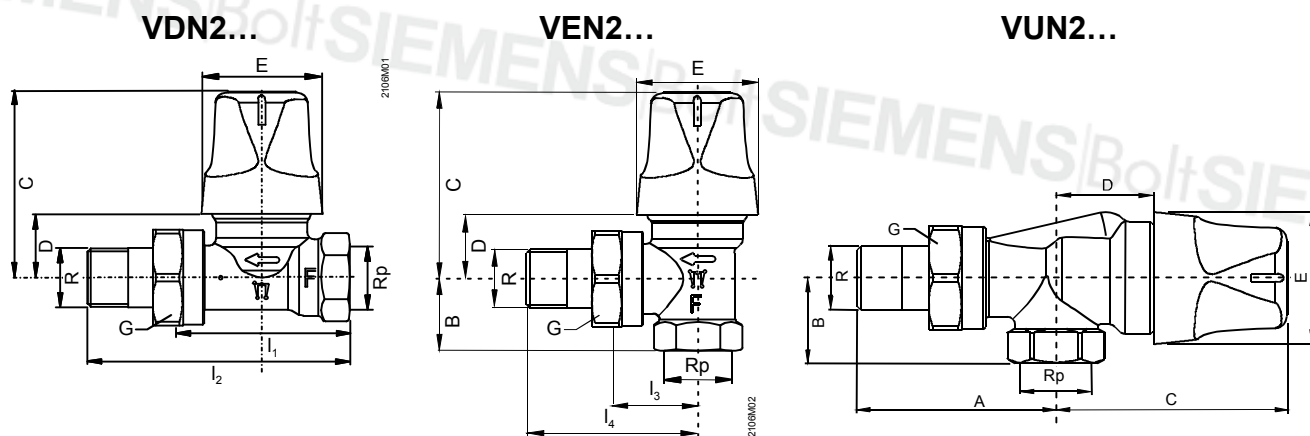


## Technical data

<b>Functional data</b>	PN class	PN 10	
	Suitable media <sup>1)</sup>	cold and low-temperature hot water, water with propylene-glycol, water with ethylene-glykol < 30%; recommendation: water treatment to VDI 2035	
	Medium temperature	1...120 °C	
	Perm. operating pressure	1000 kPa (10 bar)	
	Differential pressure $\Delta p_{max}$	max. 60 kPa (0.6 bar)	
	Differential pressure $\Delta p_{v100}$	5...20 kPa (0.05...0.2 bar): recommended range	
<b>Materials</b>	Stroke	min 1.2 mm	
	Valve body	brass, mat nickel-plated	
	Fitting	brass, mat nickel-plated	
	Protective cover	polypropylene	
<b>Dimensions / weight</b>	O-ring	EPDM, NBR	
	Refer to «Dimensions»		
	Mounting length	EN 215	
	Thread	Rp internally threaded	to ISO 7-1
	R externally threaded	to ISO 7-1	
	G-thread	to ISO 228-1	

<sup>1)</sup> Prefer propylene-glycol for environment protection reasons.

## Dimensions



Type	DN	Dimensions [mm]								Thread [inch]			Weight [kg]	
		I <sub>1</sub>	I <sub>2</sub>	I <sub>3</sub>	I <sub>4</sub>	A	B	C	D	E	Rp	R		G
VDN210	10	50	75					53	18	35	3/8	3/8B	5/8	0.220
VDN215	15	55	82					53	18	35	1/2	1/2B	3/4	0.265
VDN220	20	65	98					53	18	35	3/4	3/4B	1	0.385
VEN210	10			24	49		20	53	18	35	3/8	3/8B	5/8	0.215
VEN215	15			26	53		23	53	18	35	1/2	1/2B	3/4	0.260
VEN220	20			30	63		26	53	18	35	3/4	3/4B	1	0.360
VUN210	10					51	22	60	25	35	3/8	3/8B	5/8	0.285
VUN215	15					57	27	61	26	35	1/2	1/2B	3/4	0.330